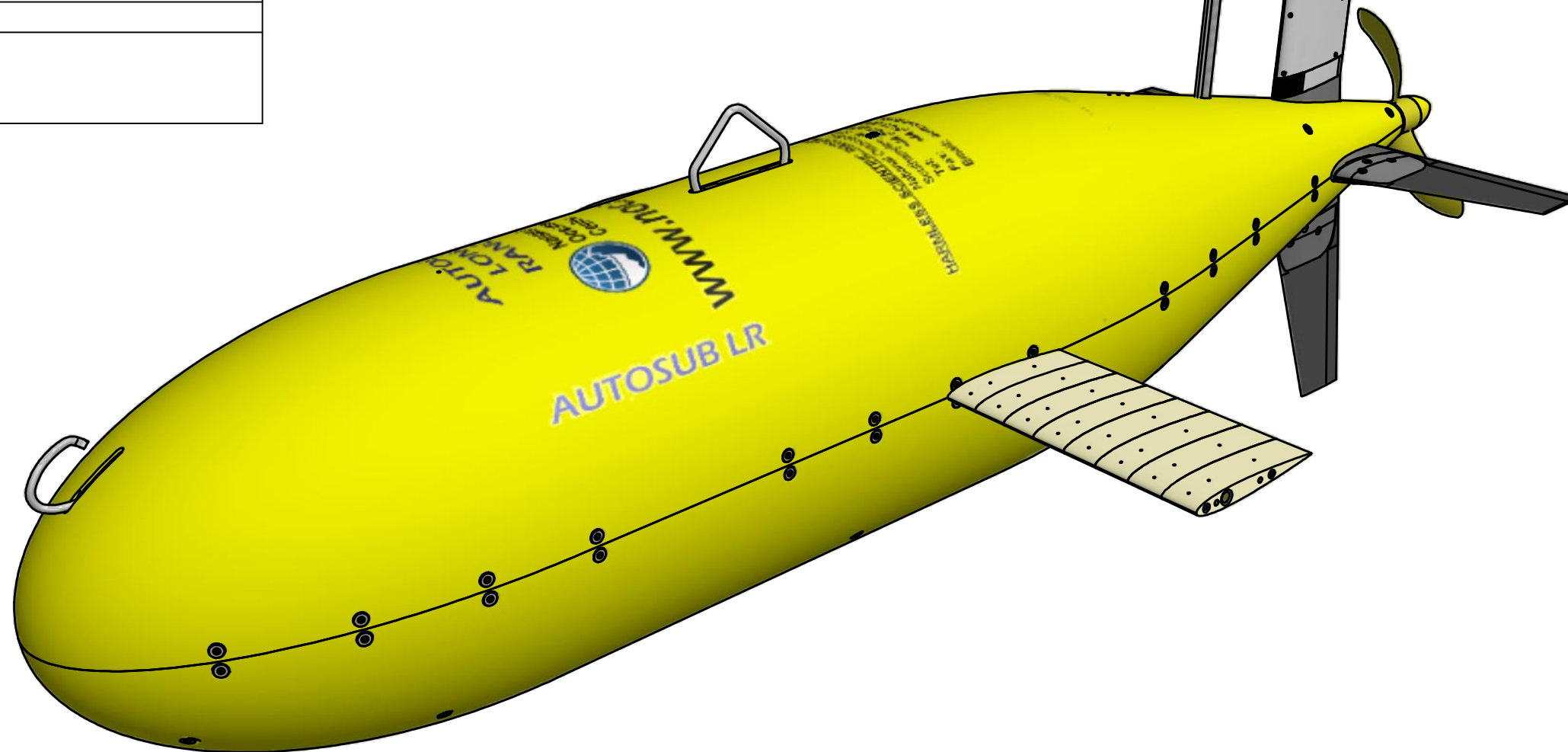
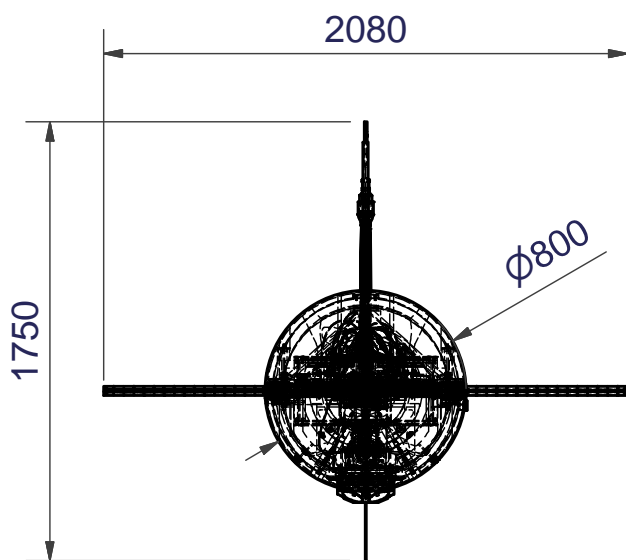
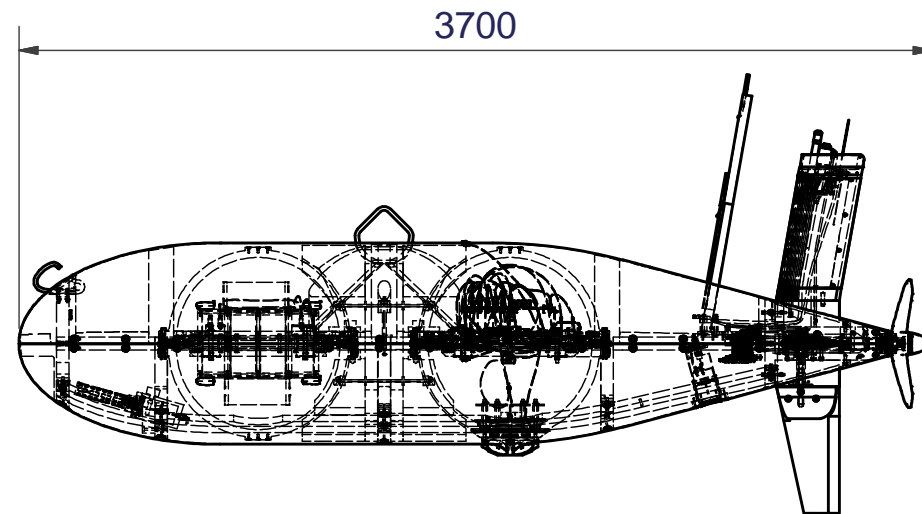


ALR-6000

Depth Rating	6000 m
Endurance	1 month. 1700 km (@ 0.6m/s with 4.5w science payload)
A Speed	0.5 - 0.9 m/s
Propulsion	15 - 60 w. Magnetically coupled Propeller.
Navigation Sensors	SBE 52MP CTD. RDI 300kHz ADCP (downwards) PNI TCM XB Compass u-blox EVK-M8 GPS
Standard Communication	Iridium SBD. WiFi
Surface Buoyancy	25 N.
Mass	~600 kg dry, 1200 kg flooded
Battery Technology	Lithium Thionyl Chloride
Emergency Relocation	Argos Beacon. Xeos Iridium Beacon. Xeos Flasher.



				THIRD ANGLE PROJECTION REMOVE ALL BURRS AND SHARP EDGES UNLESS STATED	Drawing produced on Inventor	
Logistics		CHKD	EST. MASS	DO NOT SCALE	National Oceanography Centre	MARS (Assembly)
		DATE	600 kg			
D Launch & Recovery	Shore Launched, or Ship Launched - Single point lift, normally using ships standard equipment.	DES	P.Stevenson	NO OFF PER UNIT	TITLE AUTOSUB LONG RANGE ALR-6000	
		DATE	06/11/2013			
		DRN	R.Templeton		SHT OF 1 1	ISS A
Transport	1x 20' ISO Container.	DATE	05/04/2020			